

# TracXP™

INDUSTRIAL GAS SOLUTIONS  
by Macurco

TracXP is the industrial products division of Macurco Gas Detection, who has been providing gas detection solutions for over 50 years. The TracXP line addresses special hazard applications including harsh industrial environments and hazardous locations with a comprehensive line of wired and wireless gas detection solutions.



**TXP-C40**  
Poly Enclosure

## TXP-C40

### 4 Channel Alarm Controller

The TracXP C40 is a versatile control panel that provides signal conditioning, display and alarm functions for up to four input channels. The C40 comes standard with two programmable relays and a large graphic LCD screen which displays engineering units, 30-minute trends or bar-graphs. Status indicating Yellow and Red LED's provide highly visible real time alarm status and three adjustable alarm levels per channel. Versatile input options include connecting four 4-20 mA inputs, four bridge sensors (Catalytic Bead/IR) or dual bridge and dual toxic (Electrochemical) sensors. Output options include 4-20 mA, MODBUS®RTU, serial to dual Ethernet Modbus TXP bridge, and additional relay outputs.



**TXP-C40**  
Poly Enclosure  
Open View w/ horn

### Key Features

- NEMA 4X enclosure
- LCD readout displays engineering units, bar graphs or 30 minute trends
- LED's indicate alarm and fault status
- 2 programmable SPDT relays for warning, high alarm, horn and fault conditions
- RS-485 Modbus® slave serial port
- 6 programmable 5A relays (optional)
- "Cal Mode" offers pushbutton zero and span calibration for direct sensor input applications

### Applications

- Oil & Gas
  - Upstream
  - Mid-stream
  - Downstream
- Chemical/Petrochemical
- Water / waste water treatment plants
- Food & beverage facilities
- Metal manufacturing
- Pulp & paper
- Power generation

## Specifications

### Controller Specifications

Enclosure Size	14.1"(L) x 12.14"(W) x 7.75"(H) Poly Enclosure
Shipping Weight	12 lbs. (5.4 k.) Poly Enclosure
Power Supply	120 - 240 VAC / 10 - 30 VDC, 50 watt primary power supply (Standard)
Inputs	Dual toxic (Electrochemical) Dual bridge (Catalytic Bead/IR) One bridge and one toxic Dual 4-20 mA
Relays	Two programmable 5A 30 VDC or 250 VAC resistive Form C Relays  Programmable 5A 30 VDC or 250 VAC resistive Form C Relays (Option)
Serial Port Option	Modbus® RTU Slave RS-485 Port Tx / RX LED's Serial to dual Ethernet Modbus® TCP bridge, for C1D2 locations
Display	Graphic 128 x 64 pixel backlit LCD indicates engineering units, trends or bar-graphs. Six LED's provide alarm status, cal mode and keypad activity
Temperature	-13°F to 140°F (-25°C to +60°C)
Approvals	CSA C22.2 No. 1010.1 and C22.2 NO 152 for combustible gases and ISAS82.02: UL1604 / C22.2 No 213 (NEMA 4X Enclosures: Div. 2, Groups A, B, C & D EN55011 and EN 61000

Represented By:

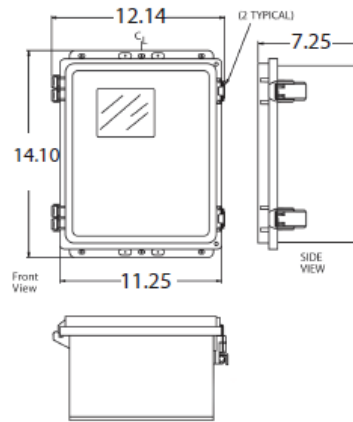
## Controller Parts and Accessories\*

### Name

88-C020-0000-20 Power Supply, 100-240 VAC / 10-30 VDC w/50W, C1, D2
90-8000-0000-09 Quad LCD / micro controller PCB & ribbon cable
88-4000-0020-00 Alarm relay board (6, 5A form C relays)
88-5000-0060-00 Single RS-485 serial Modbus® TCP bridge, non-hazardous locations
88-5000-0070-00 Quad channel 4-20 mA output board
88-5000-0070-20 Serial to dual Ethernet Modbus® TCP bridge, for C1D2 locations
88-5000-0080-00 RS-232 / RS-485 RTU addressable interface
90-8000-5000-00 Quad channel 4-20 mA input board
90-8000-6000-00 (2) Bridge Sensors and (2) 4-20 mA or (4) Bridge sensors input boards

\*For additional options please contact your TracXP representative

## Housing Dimensions



Since 1972 Macurco has been providing gas detection solutions for various applications. Macurco provides the highest quality gas detection solutions to customers worldwide.



### Macurco Gas Detection

1504 W. 51st St,  
Sioux Falls, SD 57105

Phone: 1-877-367-7891

Website: [www.macurco.com](http://www.macurco.com)

Email: [Macurco\\_info@dwyeromega.com](mailto:Macurco_info@dwyeromega.com)